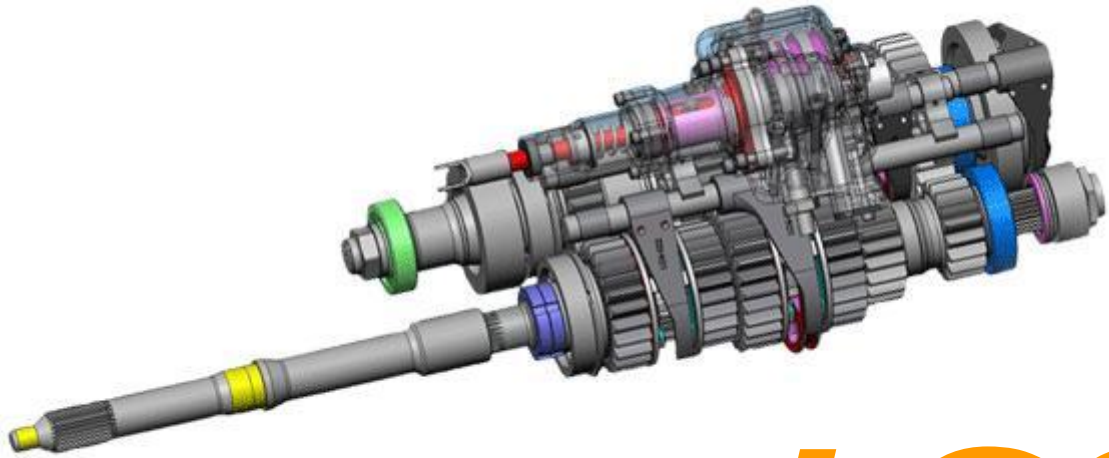


HOLINGER



LG6

SEQUENTIAL CHANGE CONVERSION KIT AUDI R8 / LAMBORGHINI GALLARDO

FEATURES:

- Sequential change conversion kit for Audi R8 und Lamborghini Gallardo.
- Gearbox kit designed to convert standard transmission to sequential 6 speed shift, dog change.
- Gear casing and several parts will be retained unchanged.
- All gears are profile ground for increased efficiency and durability.
- The selector forks are high tensile, nitrided steel.
- Case hardened nickel chrome steel is used for all gears and shafts.
- A wide range of ratios available.
- Optional with Holinger cable change gear levers.

Holinger Europe

Seestraße 2/4, 83367 Petting, Germany
Tel: +49 (0)8686 984426; Fax: +49 (0)8686 984427
www.holinger.de