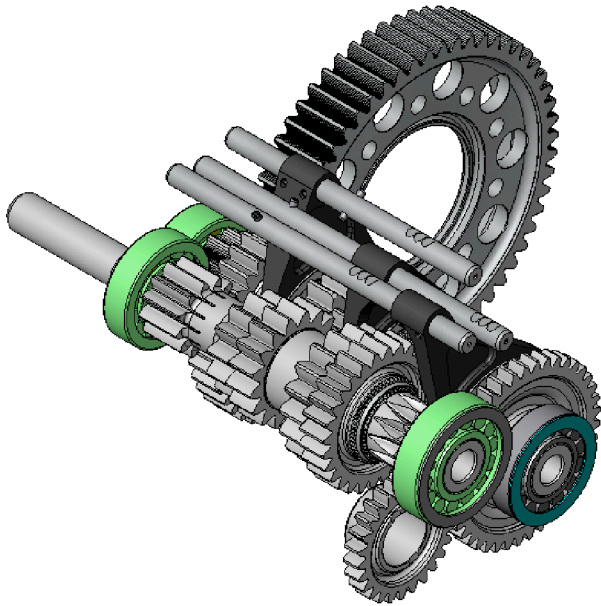


HOLINGER



HLE

V2

5 SPEED DOG CHANGE CONVERSION KIT MITSUBISHI LANCER EVO 4-9

FEATURES:

- Dog conversion kit for Mitsubishi Lancer Evo 4-9, FIA Group N spec.
- Gearbox kit designed to convert standard transmission to 5 speed shift, dog change.
- No modification required to standard cases.
- The gearbox kit includes 5 forward ratios, reverse, custom short shift selector rods, selector forks and profile ground ring and pinion.
- Case hardened, nickel chrome steel is used for all gears and shafts.
- Heat treated and nitrided, high tensile steel is used for the selector forks.
- All gears are profile ground gears for increased efficiency and durability.
- A wide range of gears is available for both, Rally and Track racing.

Holinger Europe

Seestraße 2/4, 83367 Petting, Germany
Tel: +49 (0)8686 984426; Fax: +49 (0)8686 984427
www.holinger.de